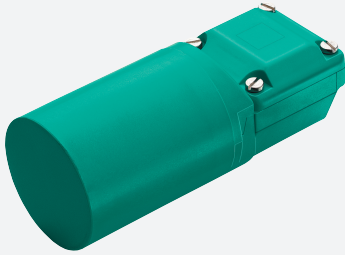


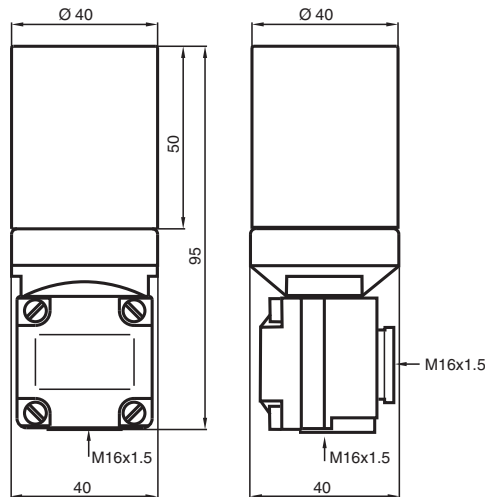
Inductive sensor

NJ20-40-N

■ 20 mm non-flush



Dimensions



Technical Data

| General specifications | | |
|------------------------------|-------|--------------------------------------|
| Switching function | | Normally closed (NC) |
| Output type | | NAMUR |
| Rated operating distance | s_n | 20 mm |
| Installation | | non-flush |
| Assured operating distance | s_a | 0 ... 16.2 mm |
| Reduction factor r_{Al} | | 0.4 |
| Reduction factor r_{Cu} | | 0.3 |
| Reduction factor r_{304} | | 0.85 |
| Output type | | 2-wire |
| Nominal ratings | | |
| Nominal voltage | U_o | 8.2 V (R_i approx. 1 k Ω) |
| Switching frequency | f | 0 ... 100 Hz |
| Current consumption | | |
| Measuring plate not detected | | min. 3 mA |
| Measuring plate detected | | \leq 1 mA |

Release date: 2023-01-27 Date of issue: 2023-01-27 Filename: 70133323_eng.pdf

Refer to "General Notes Relating to Pepperl+Fuchs Product Information".

Pepperl+Fuchs Group
www.pepperl-fuchs.com

USA: +1 330 486 0001
fa-info@us.pepperl-fuchs.com

Germany: +49 621 776 1111
fa-info@de.pepperl-fuchs.com

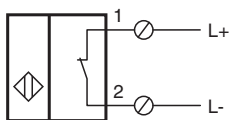
Singapore: +65 6779 9091
fa-info@sg.pepperl-fuchs.com

PF PEPPERL+FUCHS

Technical Data

| | | |
|---|--|---|
| Functional safety related parameters | | |
| MTTF _d | | 11400 a |
| Mission Time (T _M) | | 20 a |
| Diagnostic Coverage (DC) | | 0 % |
| Compliance with standards and directives | | |
| Standard conformity | | |
| NAMUR | | EN 60947-5-6:2000 IEC 60947-5-6:1999 |
| Standards | | EN 60947-5-2:2007 EN 60947-5-2/A1:2012 IEC 60947-5-2:2007 IEC 60947-5-2 AMD 1:2012 |
| Approvals and certificates | | |
| IECEX approval | | |
| Equipment protection level Gb | | IECEX PTB 11.0037X |
| Equipment protection level Da | | IECEX PTB 11.0037X |
| Equipment protection level Mb | | IECEX PTB 11.0037X |
| ATEX approval | | |
| Equipment protection level Gb | | PTB 00 ATEX 2048 X |
| Equipment protection level Da | | PTB 00 ATEX 2048 X |
| UL approval | | cULus Listed, General Purpose |
| CCC approval | | |
| Hazardous Location | | 2020322315002258 |
| NEPSI approval | | |
| NEPSI certificate | | GYJ16.1393X |
| ANZEx | | 18.3018X |
| Ambient conditions | | |
| Ambient temperature | | -25 ... 100 °C (-13 ... 212 °F) |
| Mechanical specifications | | |
| Connection type | | terminal compartment |
| Core cross section | | up to 2.5 mm ² |
| Housing material | | PBT |
| Sensing face | | PBT |
| Degree of protection | | IP67 |
| General information | | |
| Use in the hazardous area | | see instruction manuals |

Connection



Accessories

| | | |
|---|--------------|------------------------|
|  | BF 40 | Mounting flange, 40 mm |
|---|--------------|------------------------|

Release date: 2023-01-27 Date of issue: 2023-01-27 Filename: 70133323_eng.pdf